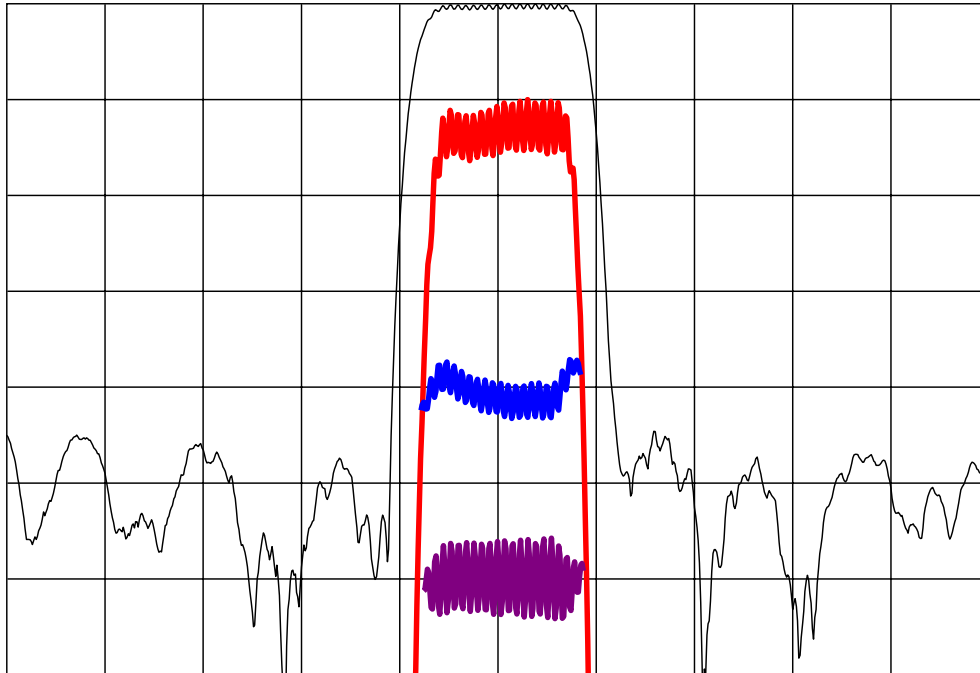


DESCRIPTION

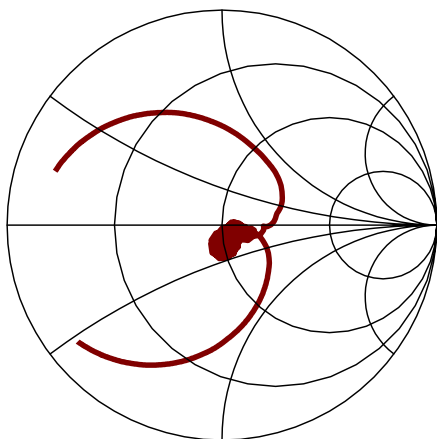
- 140 MHz SAW bandpass filter with 9.3 MHz bandwidth
- 13.3 x 6.5 mm ceramic LCC package.
- RoHS compliant.

TYPICAL PERFORMANCE

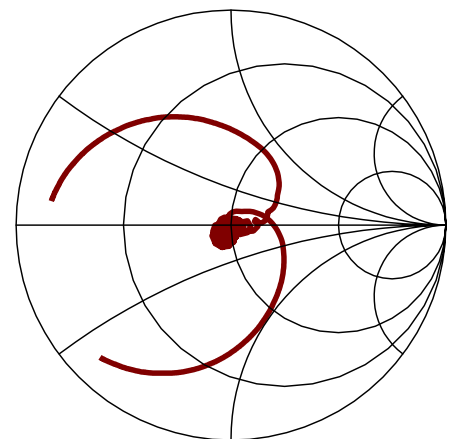


Horizontal:	Frequency	8	MHz / div
Vertical (from top):	Magnitude	10	dB/div
	Magnitude	1	dB/div
	Phase Deviation	10	deg/div
	Group Delay Deviation	100	ns/div

S11 (100-180 MHz)



S22 (100-180 MHz)



SPECIFICATION

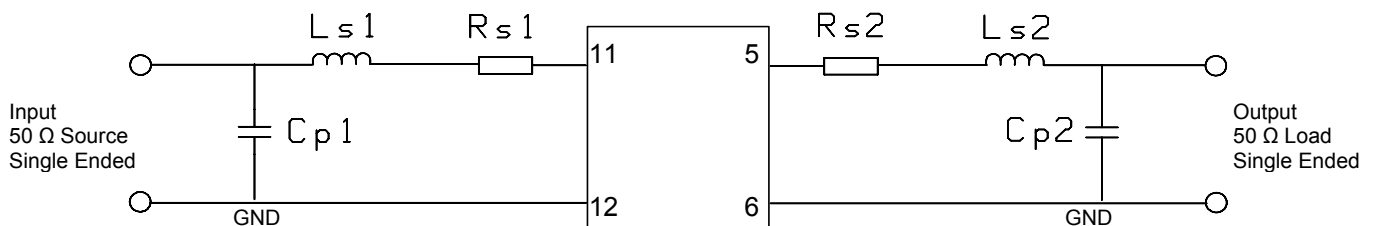
Parameter	Min	Typ	Max	Units
Center Frequency (Fc) ¹	-	140.00	-	MHz
Insertion Loss ²	-	12.5	14	dB
Lower 1dB Band Edge	-	134.33	135.35	MHz
Upper 1dB Band Edge	144.65	145.84	-	MHz
Lower 30dB Band Edge	130	131.33	-	MHz
Upper 30dB Band Edge	-	148.38	150	MHz
Lower 40dB Band Edge	129	131.03	-	MHz
Upper 40dB Band Edge	-	148.74	151	MHz
Passband Ripple ³	-	0.7	1	dB p-p
In/Out Return Loss at Fc	12	18	-	dB
Rejection ²				
(70 to 100 MHz)	37	39	-	dB
(100 to 129 MHz)	40	45	-	dB
(151 to 210 MHz)	40	47	-	dB
Temperature Coefficient of Frequency	-	-86	-	ppm/°C
Ambient Temperature	-	25	-	°C
System Source and Load Impedance	50			Ω

Notes: 1. Defined as the average of the lower and upper 3 dB frequencies.
2. All dB levels are defined relative to the insertion loss.
3. Defined over 135.35 to 144.65 MHz.

MAXIMUM RATINGS

Parameter	Min	Max	Units
Storage Temperature Range	-55	85	°C
Operating Temperature Range	-40	85	°C
Input Power Level	-	+13	dBm
DC Voltage Between Each Terminal	-	15	V

MATCHING CIRCUIT

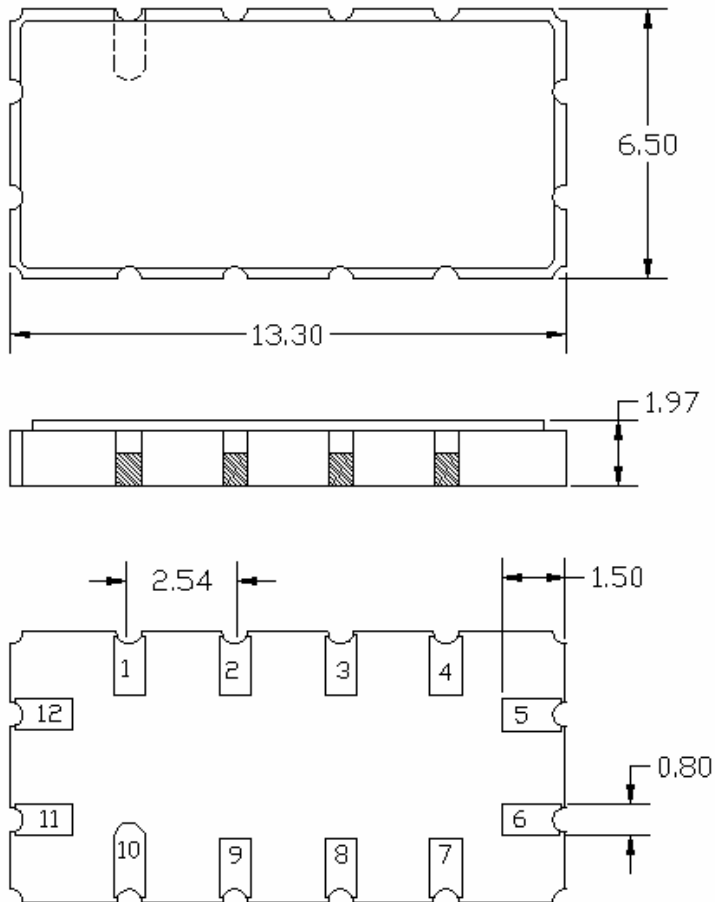


Typical component values: Rs1 = 2.4 Ω Rs2 = 2.4 Ω
 Ls1 = 36 nH Ls2 = 39 nH
 Cp1 = 47 pF Cp2 = 47 pF

Notes:

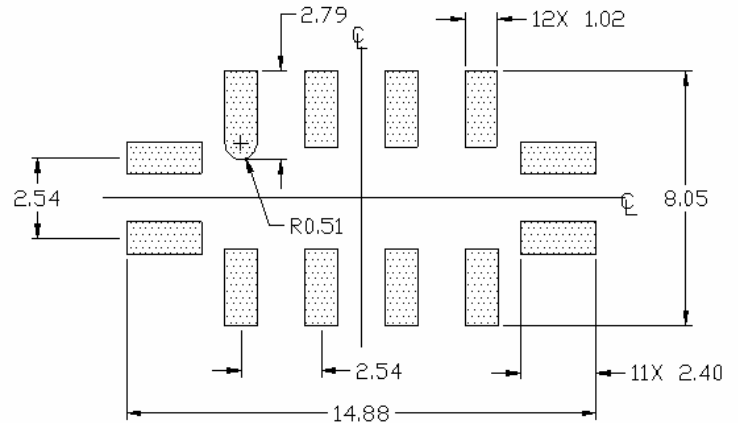
1. Recommend +/- 2% tolerance components, Typical inductor Q=40.
2. Component values shown are for reference only and may change depending on board layout.

PACKAGE OUTLINE



Package Material:
Body: Al_2O_3 ceramic
Lid: Kovar, Ni plated
Terminations: Au plating 1 μ m min,
over a 1.3-8.9 μ m Ni plating

SUGGESTED FOOTPRINT



Pad Configuration:

11	Input
12	Input Return
5	Output
6	Output Return
All Others	Case Ground

NOTE:
Dimensions shown are all nominal in millimeters. All tolerances are ± 0.15 mm except where indicated.

ISO 9001
Registered

All specifications are believed to be accurate and reliable. However, Spectrum Microwave reserves the right to make changes without notice.
© 2010 All rights reserved.

Spectrum Microwave
400 Nickerson Road, Marlborough, MA 01752, USA • Phone 1-508-251-6400 • Fax 1-508-251-6401
www.SpectrumMicrowave.com

DSSF0140BA03173S Rev A 8-Mar-2010
ECN 36650 Page 3 of 3