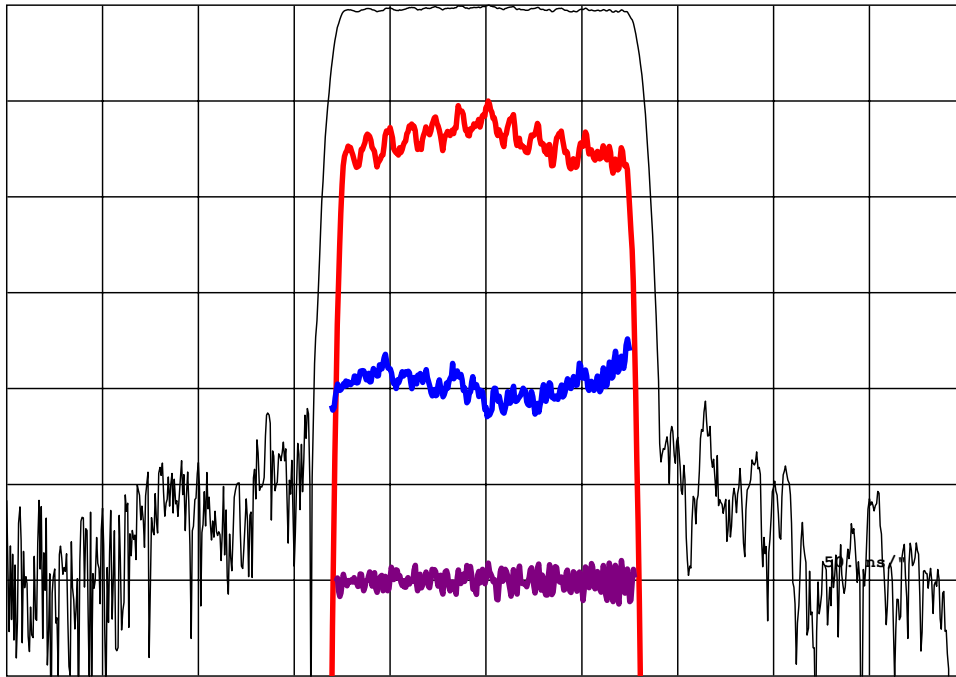


DESCRIPTION

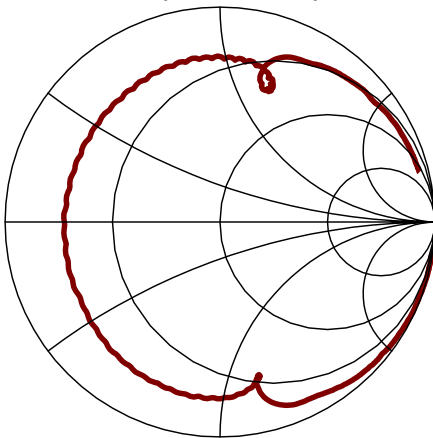
- 70 MHz SAW bandpass filter with 35 MHz bandwidth.
- 13.3 x 6.5 mm ceramic LCC package.
- RoHS compliant.

TYPICAL PERFORMANCE

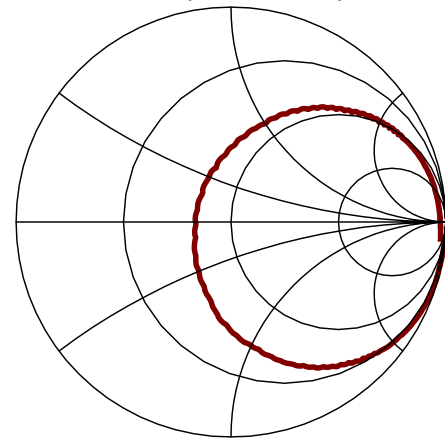


Horizontal:	Frequency :	12	MHz /div
Vertical (from top):	Magnitude :	10	dB/div
	Magnitude :	1	dB/div
	Phase Deviation :	5	deg/div
	Group Delay :	50	ns/div

S11 (10-130 MHz)



S22 (10-130 MHz)



SPECIFICATION

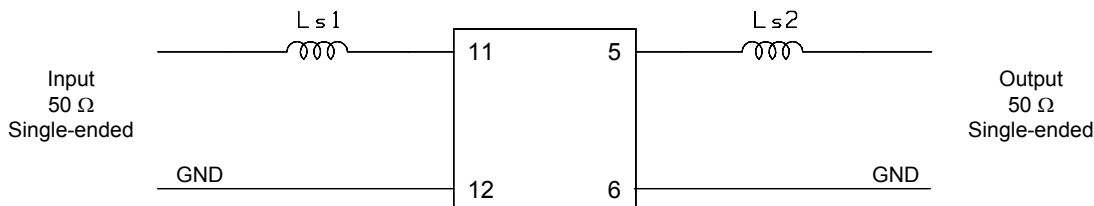
Parameter	Min	Typ	Max	Units
Center Frequency, F_C	-	70	-	MHz
Minimum Insertion Loss ¹	-	24.2	25	dB
Lower 1.5 dB band Edge ³	-	51.93	52.50	MHz
Upper 1.5 dB band Edge ³	87.50	88.08	-	MHz
Lower 40 dB band Edge ³	47.00	48.60	-	MHz
Upper 40 dB band Edge ³	-	91.40	92.00	MHz
Relative Attenuation (10 to 37 MHz) ³	45	48	-	dB
Relative Attenuation (37 to 47 MHz) ³	40	42	-	dB
Relative Attenuation (92 to 103 MHz) ³	40	42	-	dB
Relative Attenuation (103 to 170 MHz) ³	45	50	-	dB
Absolute Delay	-	0.67	1	us
Amplitude Ripple ²	-	0.8	1.5	dB p-p
Amplitude Ripple (any 1.25 MHz BW) ²		0.35	0.5	dB p-p
Source/Load Impedance (differential)		50		ohms
Temperature Coefficient of Frequency		-74		ppm/°C
Ambient Temperature		40		°C

- Notes:
1. Measured with 50Ω analyzer.
 2. Measured within the 1.5 dB bandwidth.
 3. Measured relative to the Insertion Loss Value.

MAXIMUM RATINGS

Parameter	Min	Max	Units
Storage Temperature Range	-40	85	°C
Operating Temperature Range	-10	80	°C
Input Power Level	-	+10	dBm

MATCHING CIRCUIT

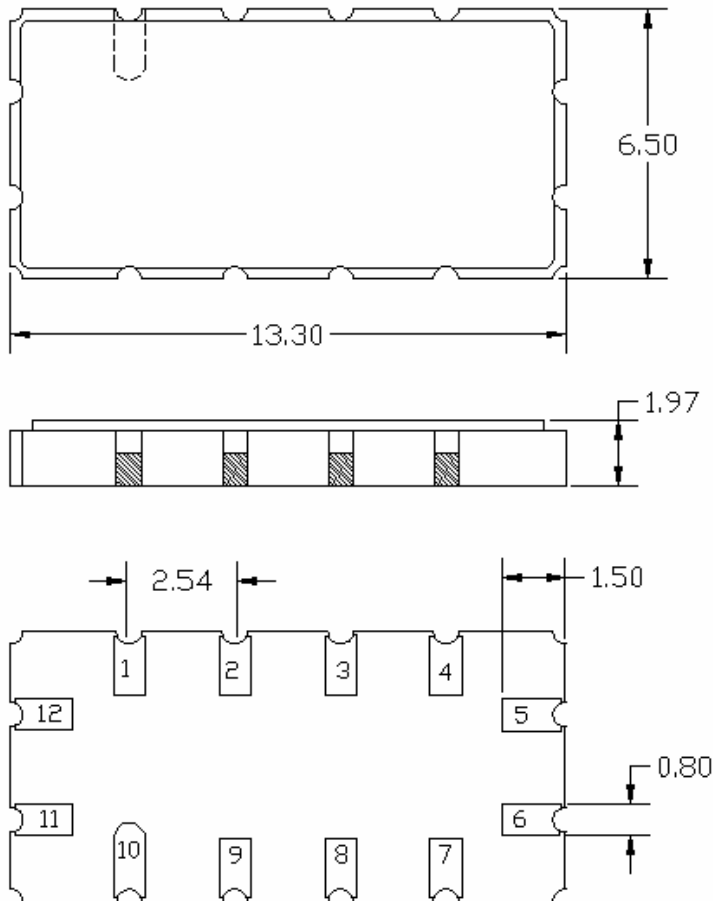


Typical Matching Components: $L_{s1} = 270$ nH $L_{s2} = 660$ nH

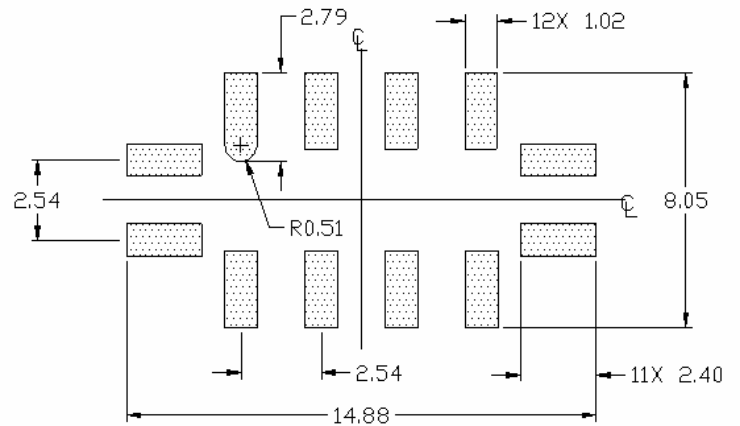
Notes:

1. Recommend +/-2% tolerance inductors. Inductor $Q=40$.
2. Component values shown are for reference only and may change depending on board layout.

PACKAGE OUTLINE



SUGGESTED FOOTPRINT



Units: mm

Tolerances are ± 0.15 mm except where indicated.

Pad Configuration:

Input: 11
Input Return: 12
Output: 5
Output Return: 6
Ground: 1,2,3,4,7,8,9,10

Package Material:
Body: Al_2O_3 ceramic
Lid: Kovar, Ni plated
Terminations: Au plating 1 μ m
min, over a 1.3-8.9 μ m Ni plating

ISO 9001
Registered

All specifications are believed to be accurate and reliable. However, Spectrum Microwave reserves the right to make changes without notice.
© 2010 All rights reserved.

Spectrum Microwave
400 Nickerson Road, Marlborough, MA 01752, USA • Phone 1-508-251-6400 • Fax 1-508-251-6401
www.SpectrumMicrowave.com