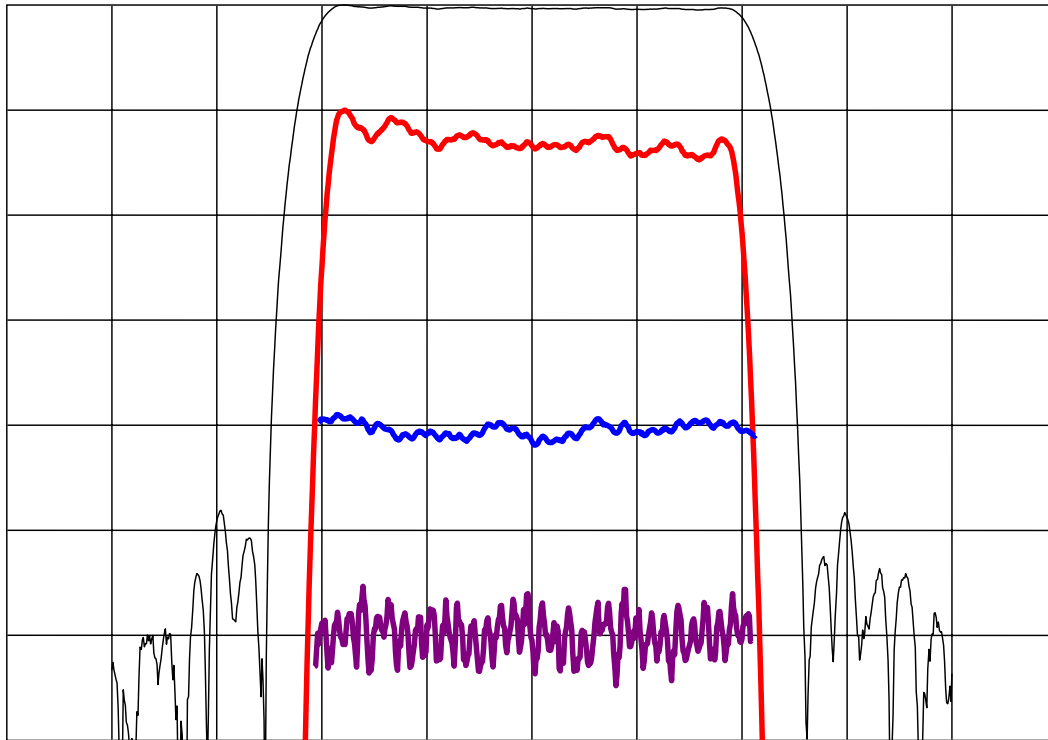


## DESCRIPTION

- 38 MHz SAW bandpass filter with a 6 MHz bandwidth.
- 35.1 x 20.6 mm DIP package.
- RoHS compliant.

## TYPICAL PERFORMANCE



Horizontal: Frequency : 1.5 MHz/div  
Vertical from Top: Relative Magnitude : 10 dB/div  
Relative magnitude : 1 dB/div  
Phase : 5 deg/div  
Group Delay Deviation : 50 ns/div

## SPECIFICATION

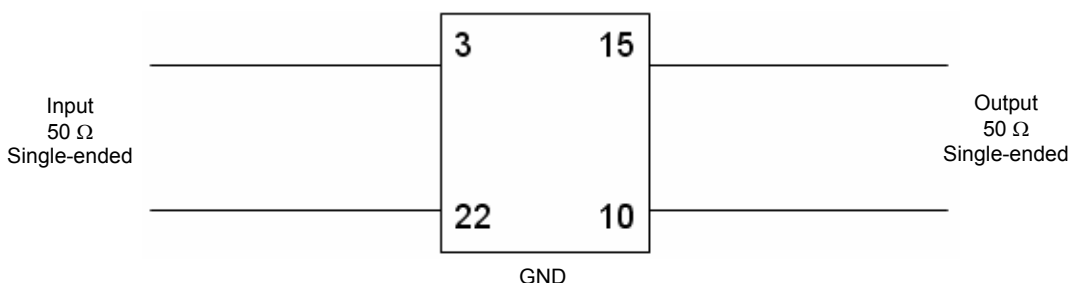
Parameter	Min	Typ	Max	Units
Center Frequency (Fc) <sup>1</sup>	37.90	38.00	38.10	MHz
Insertion Loss	-	23	25	dB
1 dB Bandwidth	-	5.90	-	MHz
3 dB Bandwidth	6.00	6.30	-	MHz
38 dB bandwidth	-	7.50	7.60	MHz
Amplitude Ripple <sup>2</sup>	-	0.5	1.0	dB p-p
Phase Ripple <sup>2</sup>	-	2	5	deg p-p
Group Delay Ripple <sup>2</sup>	-	40	75	ns p-p
Rejection (10 to 33.75 MHz)	45	50	-	dB
Rejection (42.25 to 70 MHz)	45	50	-	dB
Absolute Delay	-	2.5	-	us
Ambient Temperature (Tref)	-	25	-	° C
Source/Load Impedance	-	50	-	Ω

- Notes:
1. Average of lower & upper 3 dB frequencies.
  2. Measured over Fc+/-2.65 MHz
  3. Typical change of filter frequency response with temperature is  $\Delta f = (T-T_{ref}) * T_c * F_c$ , in ppm.

## MAXIMUM RATINGS

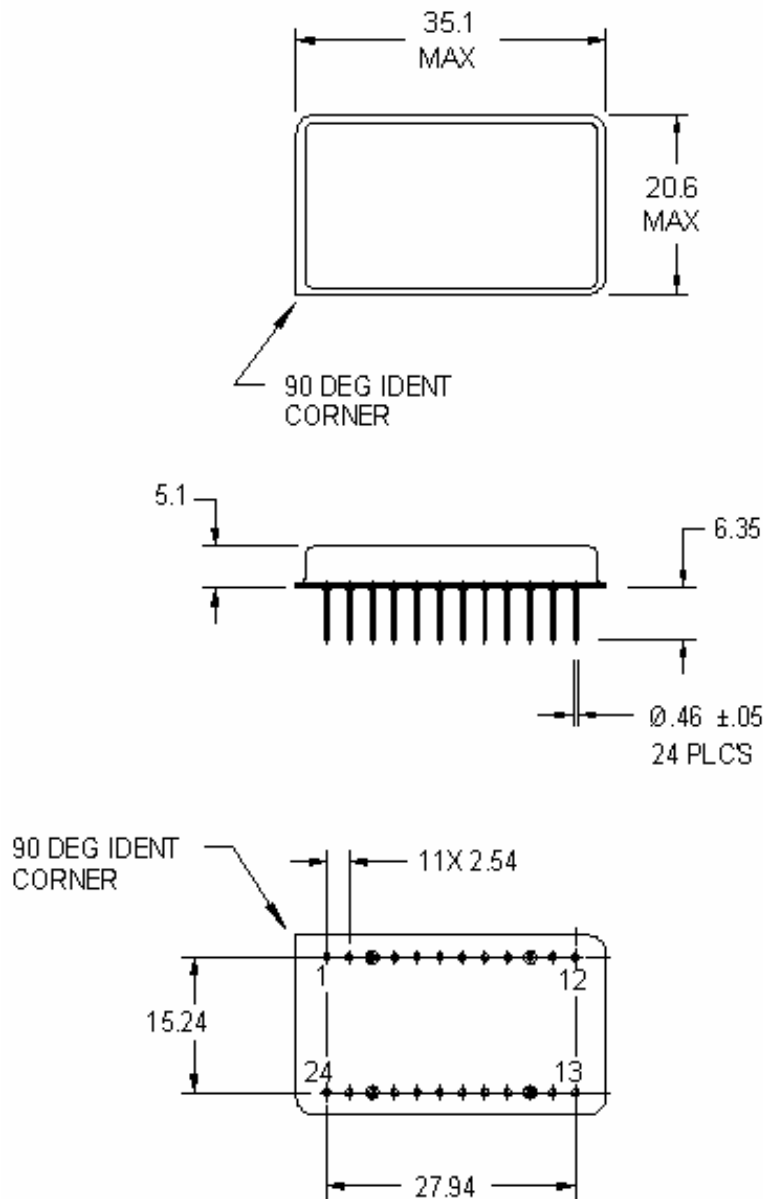
Parameter	Min	Typ	Max	Units
Storage Temperature Range	-40	25	85	°C
Temperature Coefficient of Frequency (Tc) <sup>3</sup>	-	-74	-	ppm/°C
Input Power Level	-	0	10	dBm

## MATCHING CIRCUIT



Note: External matching components are not required.

**PACKAGE OUTLINE**

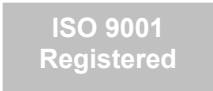


**Units:** mm

Tolerances are  $\pm 0.15$  mm except for the overall length and width, which are nominal values.

**Pin Configuration:**

Input:	3
Input return:	22
Output:	15
Output return:	10
Ground:	All other pins



All specifications are believed to be accurate and reliable. However, Spectrum Microwave reserves the right to make changes without notice.  
 © 2010 All rights reserved.