

DC BLOCKS BNC

**10 MHz - 4 GHz
200 VOLTS**



MODELS: 8080, 8081, 8082, 8083, 8084, 8085, 8086, 8087, 8088

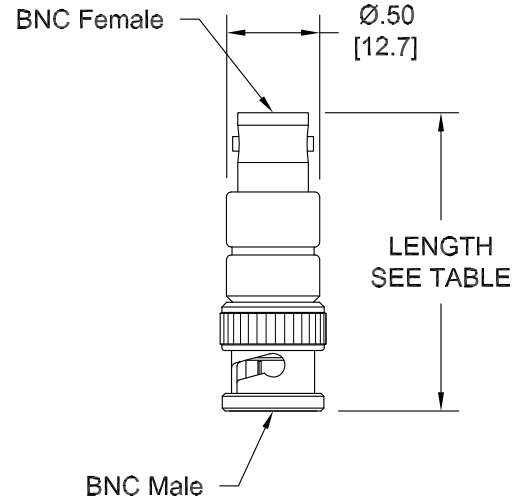
SPECIFICATIONS:

Electrical:

Frequency Range _____ 10 MHz – 4 GHz
 VSWR _____ 1.35:1 Max.
 Impedance _____ 50 Ohms
 Insertion Loss _____ 0.5 dB Max.
 Voltage Rating _____ 200 Volts Max.
 Operating Temp. Range _____ -65°C to +125°C

Mechanical:

BNC Connectors _____ Nickel Plated Brass
Mates with MIL-STD-348
 Conductors _____ Gold Plated Beryllium Copper



Model Shown: **8080**

TABLE

| MODEL NUMBER | BLOCK TYPE | CONN. CONFIG. | LENGTH |
|--------------|-----------------|-------------------|--------------------------|
| 8080 | INNER ONLY | MALE/ FEMALE | 1.60 ±.04 [40.6 ±1.0] |
| 8081 | OUTER ONLY | | |
| 8082 | INNER- OUTER | | |
| 8083 | INNER ONLY | FEMALE/ FEMALE | 1.49 ±.04 [37.7 ±1.0] |
| 8084 | OUTER ONLY | | |
| 8085 | INNER- OUTER | | |
| 8086 | INNER ONLY | MALE/ MALE | 1.71 ±.03 [43.5 ±1.0] |
| 8087 | OUTER ONLY | | |
| 8088 | INNER- OUTER | | |

Note: Dimensions in Brackets are Expressed in Millimeters and are for Reference Only.
 Design specifications are subject to change without notice.
 Contact factory for technical specifications before purchasing or use.