

DC BLOCKS TYPE N

10 MHz - 18 GHz 200 VOLTS



MODELS: 8046, 8047, 8048, 8049, 8050, 8051, 8052, 8053, 8054

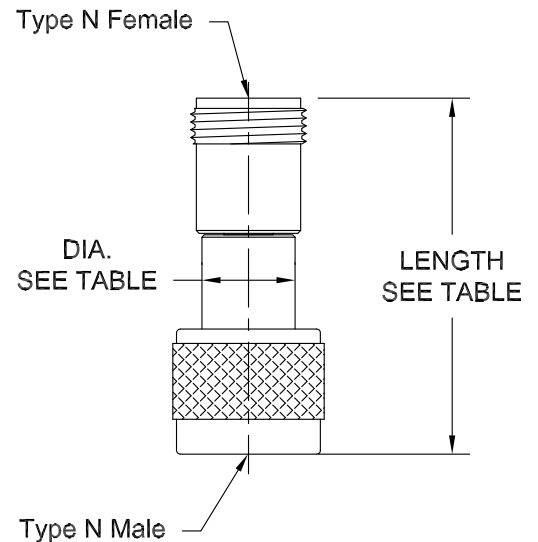
SPECIFICATIONS:

Electrical:

Frequency Range _____ 10 MHz – 18 GHz
 VSWR _____ 1.35:1 Max.
 Impedance _____ 50 Ohms
 Insertion Loss _____ 0.60 dB Max.
 Voltage Rating _____ 200 Volts Max.
 Operating Temp. Range _____ -65°C to +125°C

Mechanical:

Type N Connectors _____ Passivated Stainless Steel
Mates with MIL-STD-348
 Conductors _____ Gold Plated Beryllium Copper
 Housings:
 Inner Only Blocks _____ Passivated Stainless Steel
 Outer and Inner/Outer Blocks _____ High Temperature Plastic



Model Shown **8047**

TABLE

MODEL NUMBER	BLOCK TYPE	CONN. CONFIG.	WEIGHT GRAMS MAX.	DIAMETER	LENGTH
8046	INNER ONLY	MALE/ FEMALE	65.6	∅.63 [16.0]	1.76 ±.03 [44.7 ±0.8]
8047	OUTER ONLY		50.9	∅.50 [12.7]	1.91 ±.03 [48.5 ±0.8]
8048	INNER- OUTER	FEMALE/ FEMALE	56.6	∅.56 [14.2]	1.99 ±.03 [50.6 ±0.8]
8049	INNER ONLY		44.4	∅.50 [12.7]	
8050	OUTER ONLY	MALE/ MALE	69.7	∅.56 [14.2]	1.83 ±.03 [46.5 ±0.8]
8051	INNER- OUTER		57.5	∅.50 [12.7]	
8052	INNER ONLY	MALE/ MALE	69.7	∅.56 [14.2]	1.83 ±.03 [46.5 ±0.8]
8053	OUTER ONLY		57.5	∅.50 [12.7]	
8054	INNER- OUTER				

Note: Dimensions in Brackets are Expressed in Millimeters and are for Reference Only.
 Design specifications are subject to change without notice.
 Contact factory for technical specifications before purchasing or use.